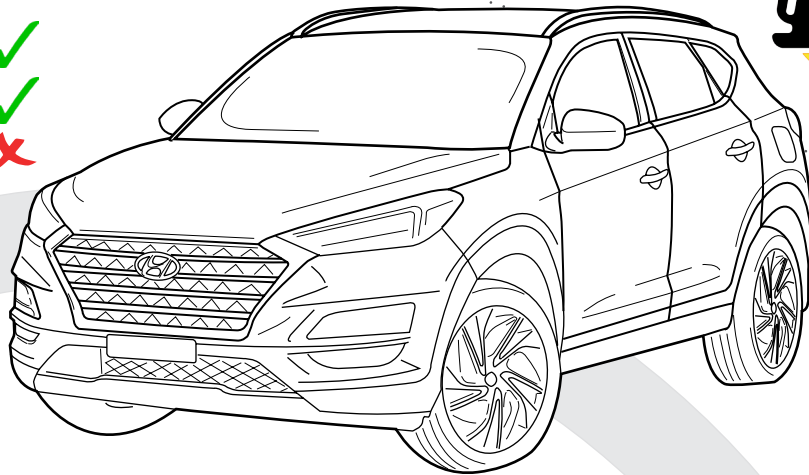




Hyundai Tucson III (type TL)

09/'18- 09/'20

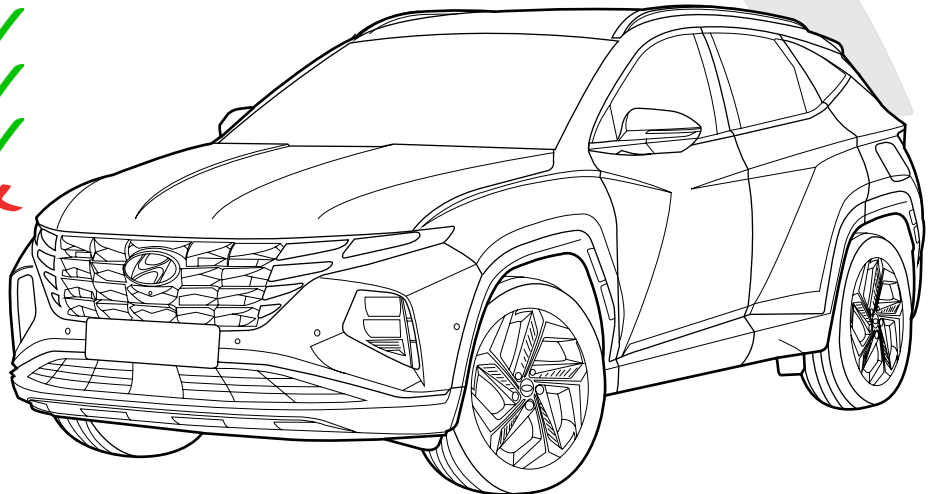
- STANDARD ✓
- AD-BLUE ✓
- N-LINE ✗



Hyundai Tucson IV (type NX4)

09/'20 -

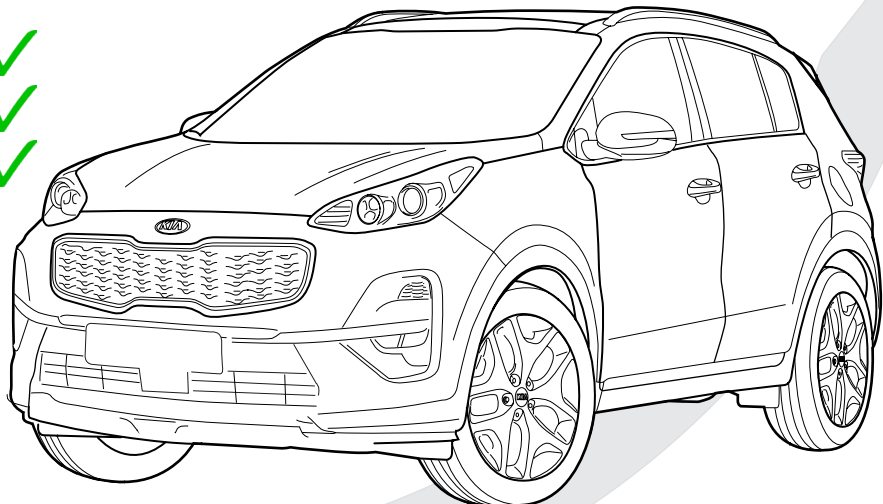
- STANDARD ✓
- AD-BLUE ✓
- HYBRIDE ✓
- N-LINE ✗



Kia Sportage Facelift (type QL, QLE)

09/'18-

- STANDARD ✓
- AD-BLUE ✓
- MILD HYBRID ✓



NL Belangrijke raadgevingen

Montage

- Voor de montage moet de trekhaak eerst op het voertuig gepresenteerd worden.

De belasting van een aanhangwagen en van een accessoire dat op de koppelingskogel wordt voorzien, zijn anders van aard. Voor beiden kunnen verschillende limieten van toepassing zijn. Hiervoor verwijzen we naar het instructieboekje van de wagen of naar uw concessiehouder.

FR Recommandations importantes

Montage

- Présenter l'attelage sous le véhicule avant d'effectuer le montage.

La charge d'une remorque ou d'un accessoire prévue sur la boule d'attelage, est de nature diverse. Pour ces deux éléments, il peut y avoir des limites d'utilisation. Nous vous recommandons de vous référer à votre livret d'instructions ou de vous renseigner chez votre concessionnaire.

EN General instructions

Fitting

- Present the towbar under the car first to check if all points are right.

The load of a trailer and of an accessory fitted on the towing ball are of a different nature. Different limits may apply to both. For this matter, we refer to the instruction manual of the vehicle or we advise you to contact your concessionaire.

DE Wichtige ratschläge

Montage

- Erst die Anhängerkupplung und das Fahrzeug kontrollieren, danach montieren.

Die Belastung eines Anhängers und eines Zubehörs, die man auf einer Kupplungskugel voraussieht, ist wesentlich anders. Für beide gilt, dass diese unterschiedlich begrenzt sein können. Deswegen möchten wir verweisen auf die Bedienungsanleitung des Fahrzeugs oder auf Ihren Vertragshändler.

ES Instrucciones generales

Montaje

- Presentar el enganche debajo del vehículo antes de realizar el montaje.

La carga de un remolque y un accesorio montado en una bola de remolque son de una naturaleza diferente. Se pueden aplicar diferentes límites a ambos. Para este asunto, nos referimos al manual de instrucciones del vehículo o le recomendamos que contacte a su distribuidor.

DK Generelle instruktioner

Montering

- Præsenter trækstangen under bilen først for at kontrollere, om alle punkter er rigtige.

Belastningen af en trailer og af tilbehør tilkoblet anhængertrækket er forskellige. Der kan være forskellige begrænsninger på begge. I disse tilfælde henviser vi til bilens manual, eller anbefaler dig at kontakte bilforhandleren

IT Consigli importanti

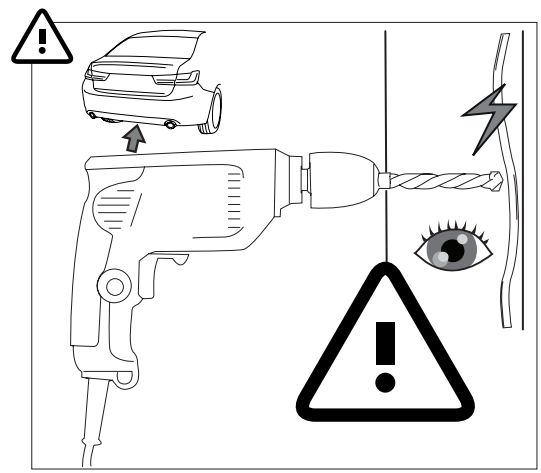
Montaggio

- In primo luogo, presentare la struttura sotto l'automobile per verificare che tutti i punti di attacco coincidano.

La massa rimorchiabile del veicolo potrebbe essere diversa dal valore riportato sul documento del gancio di traino. Per questo motivo, vi invitiamo a consultare sempre la carta di circolazione del veicolo (Pos. O.1) o a rivolgervi alla vostro concessionario di fiducia





gdw
+32 56 62 77 79
helpdesk@gdwtowbars.com



1 0 km + 1000 km
2 **3** GREASE

1-XXX-XXX

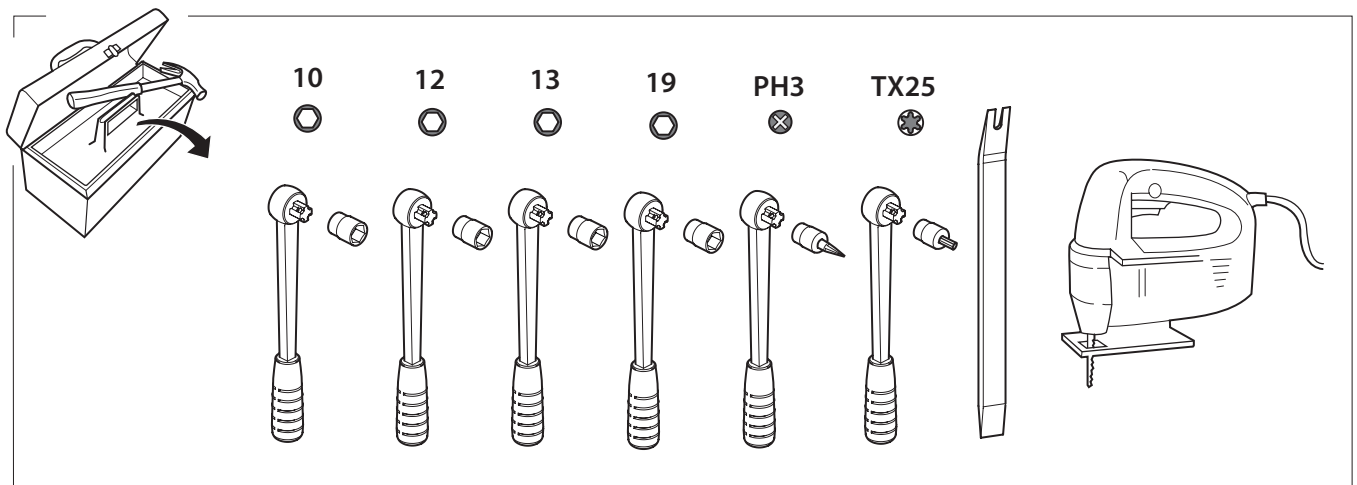
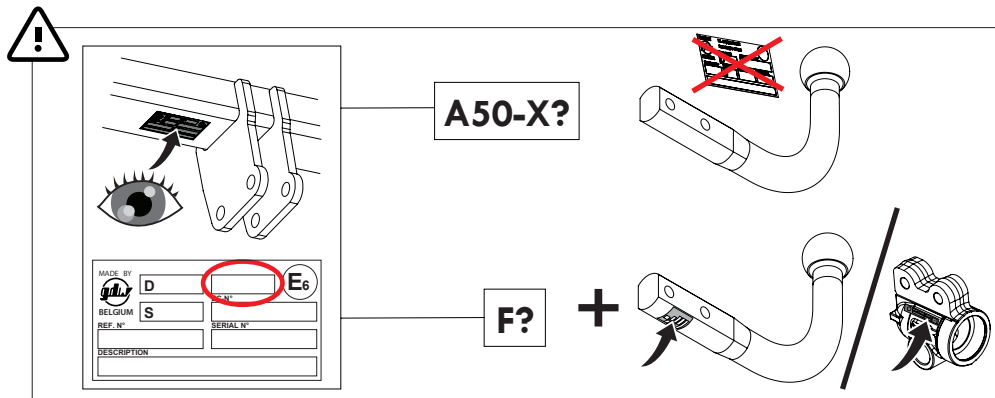
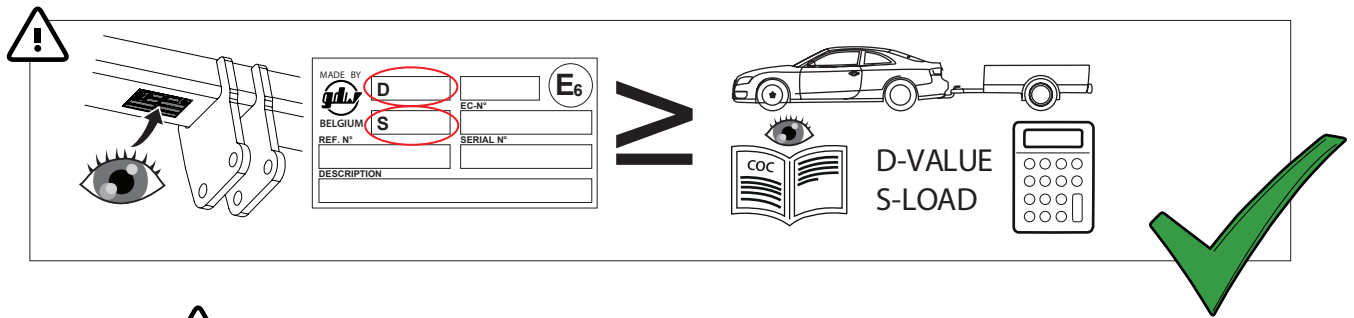
MADE BY 	D 11,20	F	E6
BELGIUM	S 120	EC-N° 55R-02 1644	
REF N° 2543		SERIAL N° XXXX	
DESCRIPTION Hyundai Tucson III + IV ; Kia Sportage 09/'18-			



$$D = \frac{\text{max kg (car)} \times \text{max kg (trailer)}}{\text{max kg (car)} + \text{max kg (trailer)}} \times 0.00981 \leq 11,20 \text{ kN}$$

$$S = \begin{cases} \leq 120 \text{ kg} \\ \leq 2300 \text{ kg} \end{cases}$$

See the Certificate Of Conformity (COC) of your vehicle or contact your dealer to verify the max. trailer weight of your car!





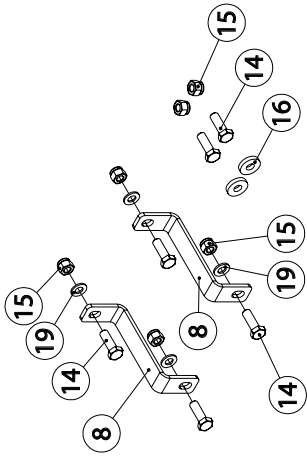
helpdesk@gdwtowbars.com

+32 56 62 77 79

Monday	08:00 - 12:00	12:30 - 16:30
Tuesday	08:00 - 12:00	12:30 - 16:30
Wednesday	08:00 - 12:00	12:30 - 16:30
Thursday	08:00 - 12:00	12:30 - 16:30
Friday	08:00 - 12:00	12:30 - 15:30

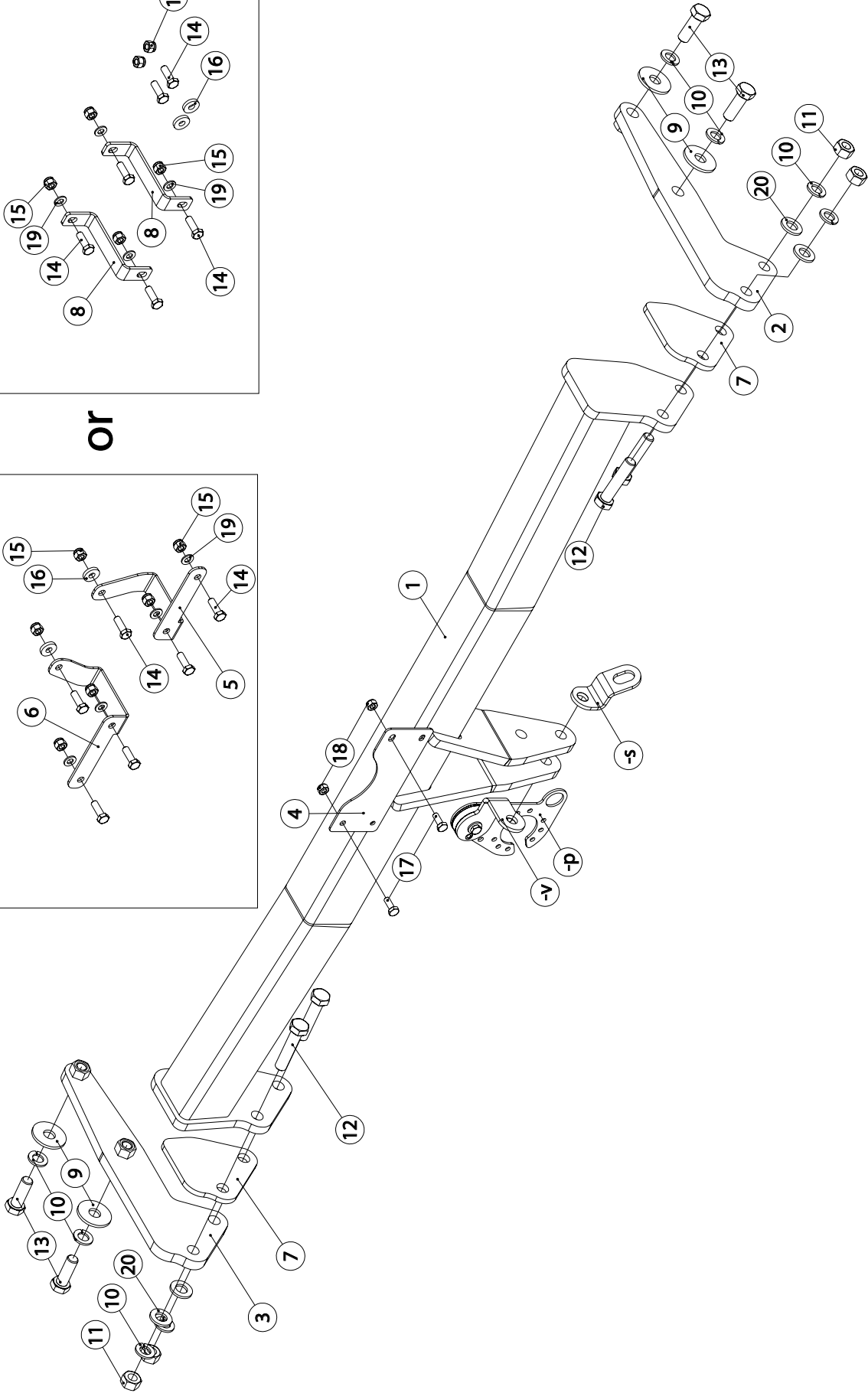
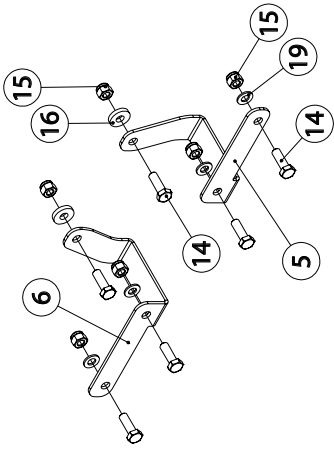


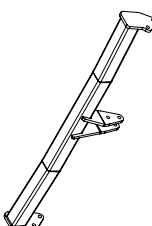
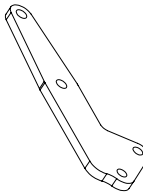
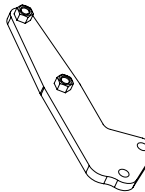
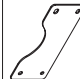

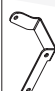




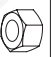



- Hyundai Tuscon III
- Kia Sportage




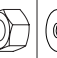




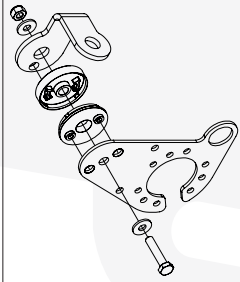




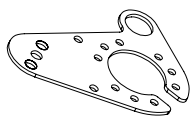


or

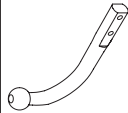



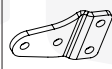
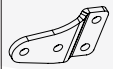
- Hyundai Tuscon IV



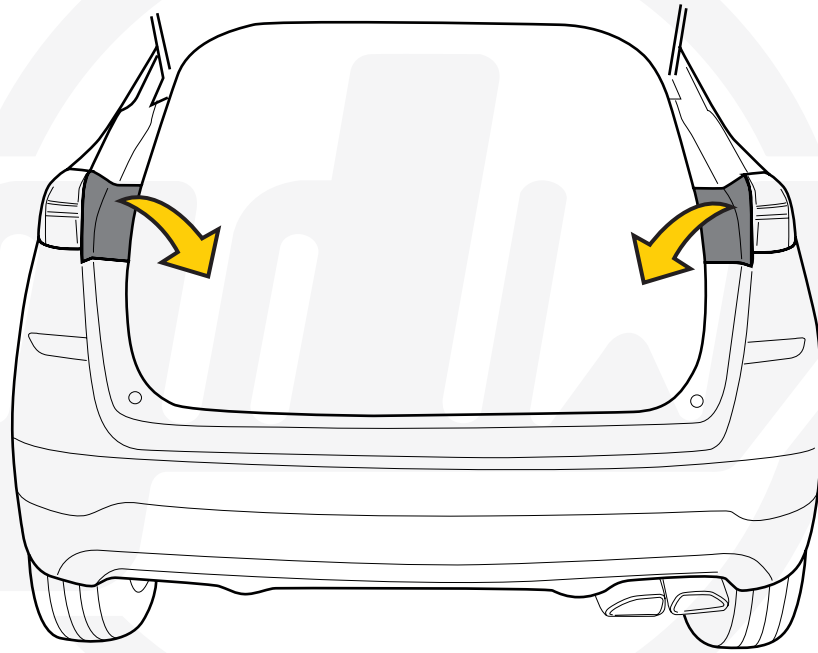
1		X1	GDW REF. 2543				
2		X1	GDW REF. 2				
3		X1	GDW REF. 3				
4		X1	GDW REF. 4				
5		X1	GDW REF. 5				
6		X1	GDW REF. 6				
7		X2	GDW REF. 7				
8		X2	GDW REF. 8				
9		X4	DIN9021-M12-ELVZ				
10		X8	DIN128A-M12				
11		X4	DIN934-M12-KL10.9				
12		X4	DIN933-M12X55_10.9				
13		X4	DIN933-M12X35_10.9				
14		X6	DIN933-M8X25				

15		X6	DIN985-M8				
16		X2	DIN7349-M10-ST				
17		X2	DIN933-M6X16				
18		X2	DIN985-M6				
19		X4	DIN125-A8-140HV-ELVZ				
20		X4	DIN125-A12-140HV-ELVZ				

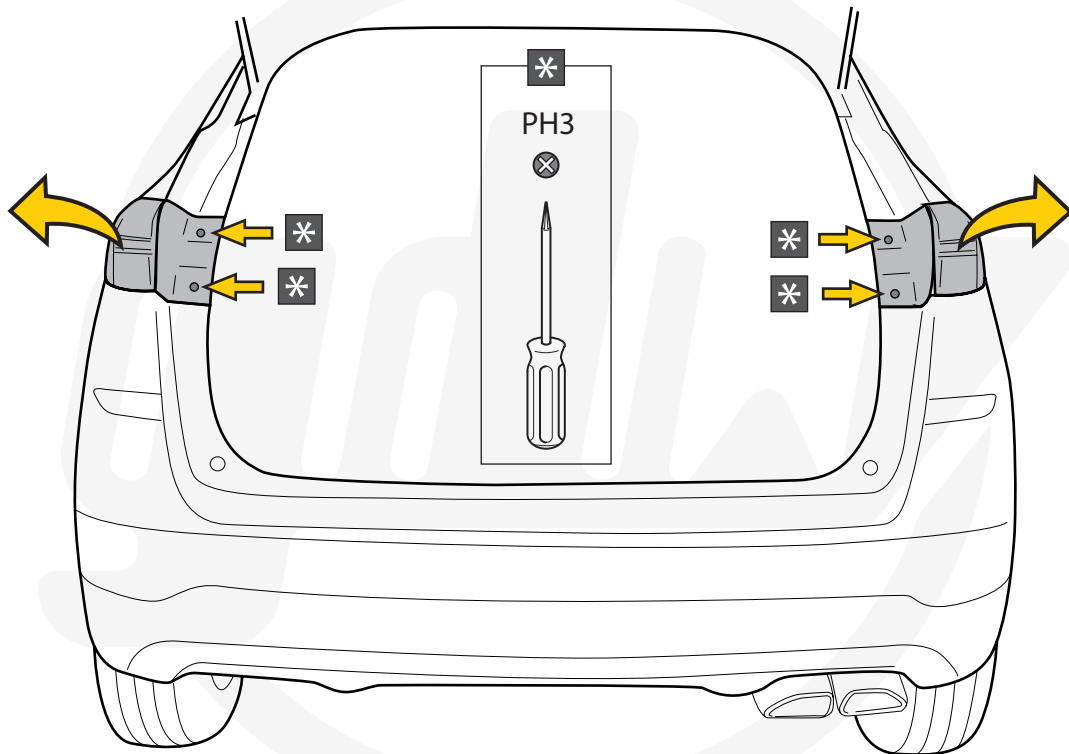
-P		X1	GDW REF. P39				
L		X1	DIN985-M6				
L		X2	6,2 X 15,4 X 1,6 (NYLON)				
L		X1	GDW REF. 718.16.002				
L		X1	GDW REF. 718.16.003				
L		X1	GDW REF. 908.094				
L		X1	DIN933-M6 X 30				
L		X1	GDW REF. 908.095				

Geleverd met - Livré avec - Delivered with				
Gefiefert mit - Elementos adjuntos - Leverages med - Forniti insieme				
	X1	944.H006		
	X4	DIN931-M12 X 70		
	X4	DIN985-M12		
	X2	GDW REF. 900.011 Ø 21.3 X 11.7		
	X1	GDW REF. 900.025		
	X1	GDW REF. 900.026		

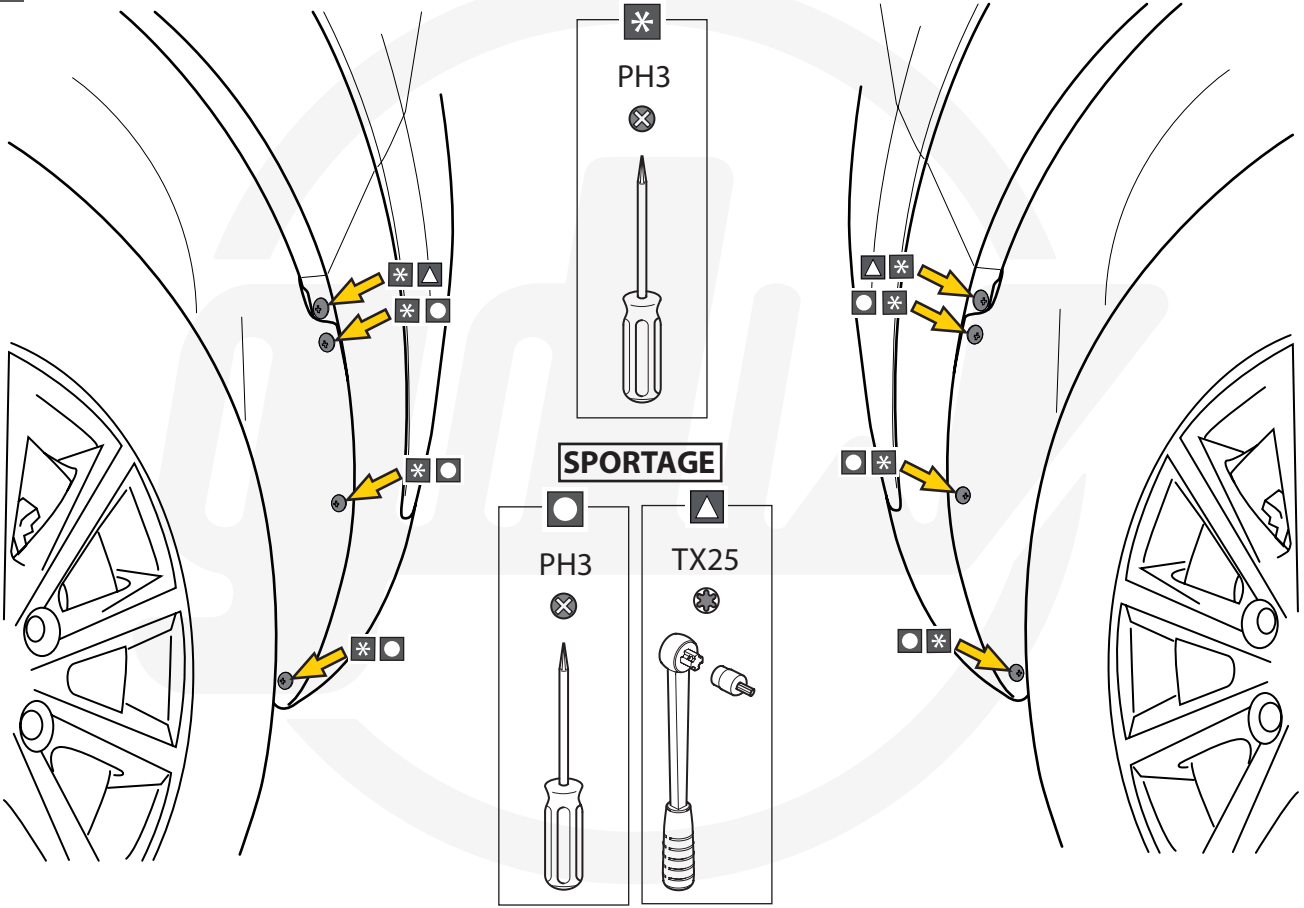
1



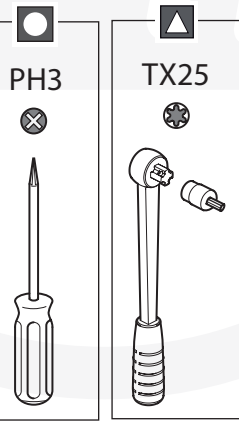
2



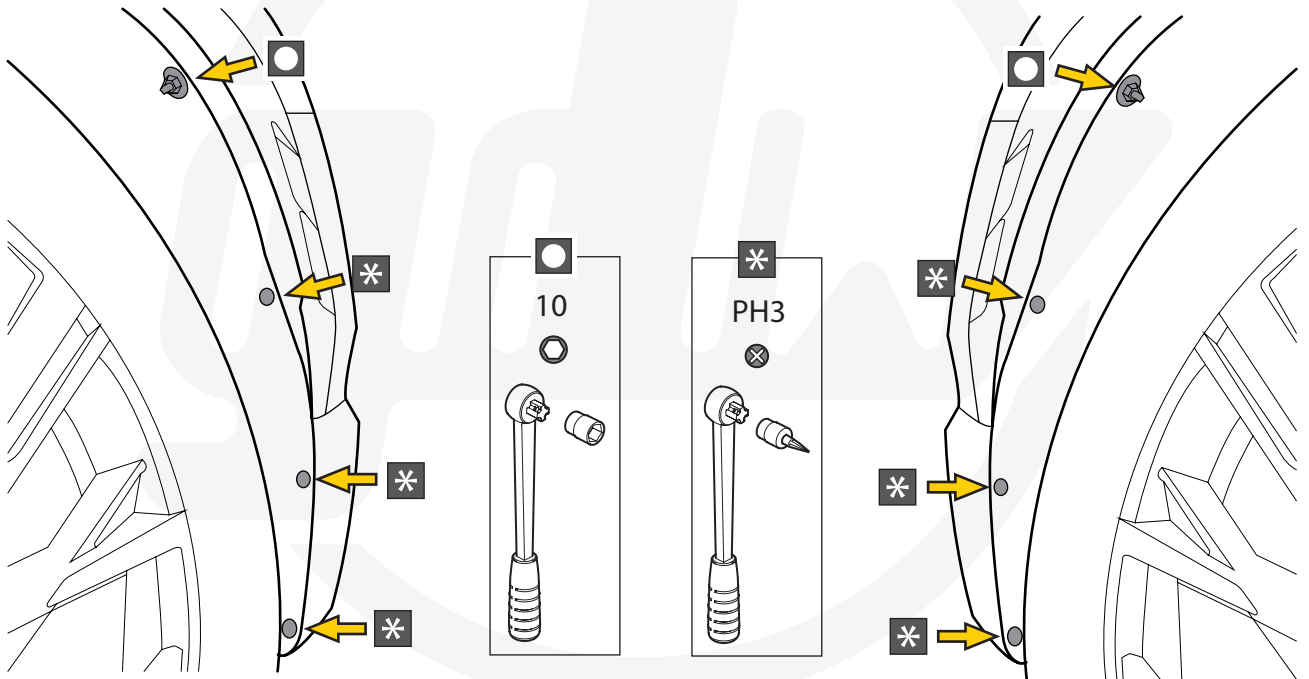
TUCSON III



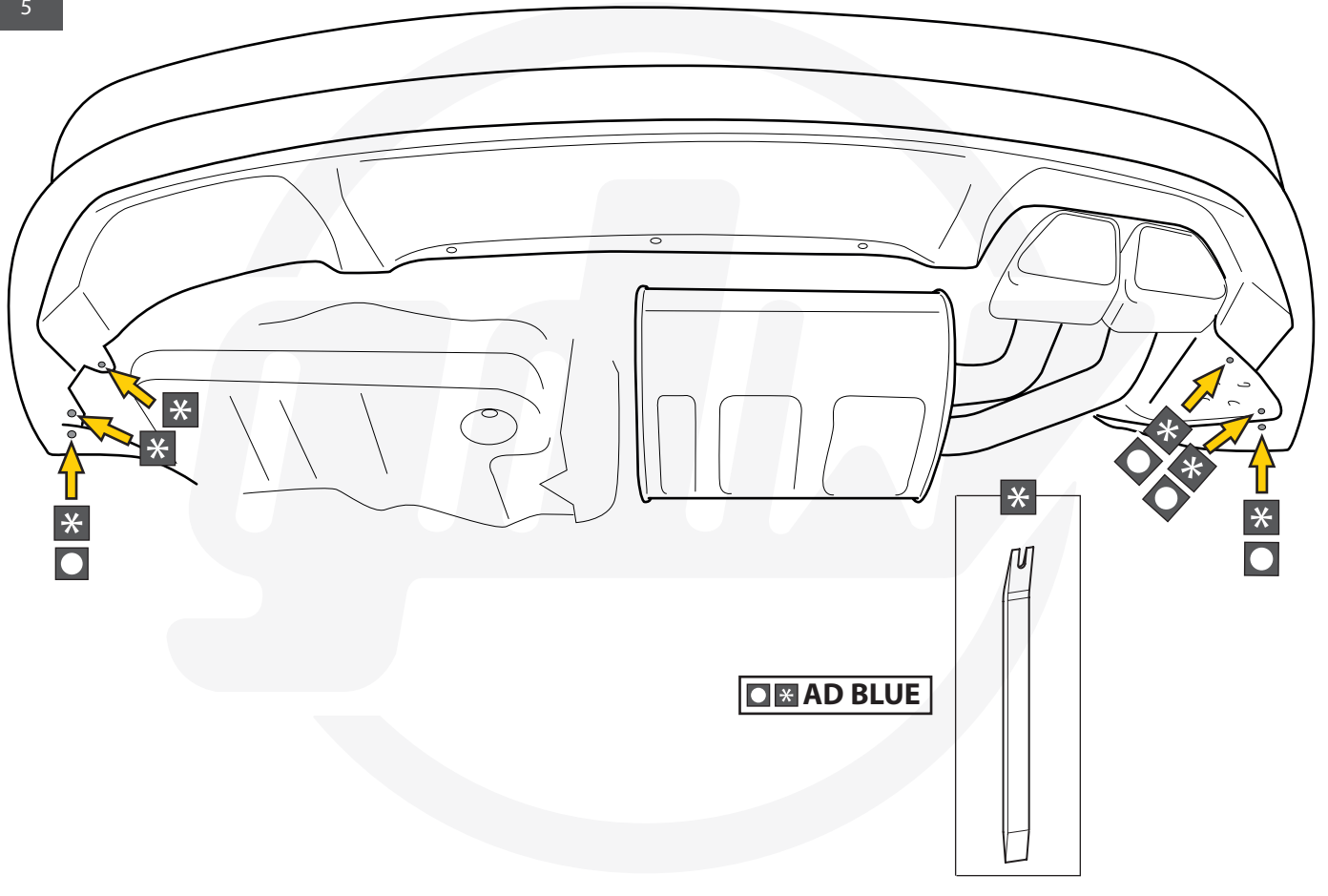
SPORTAGE



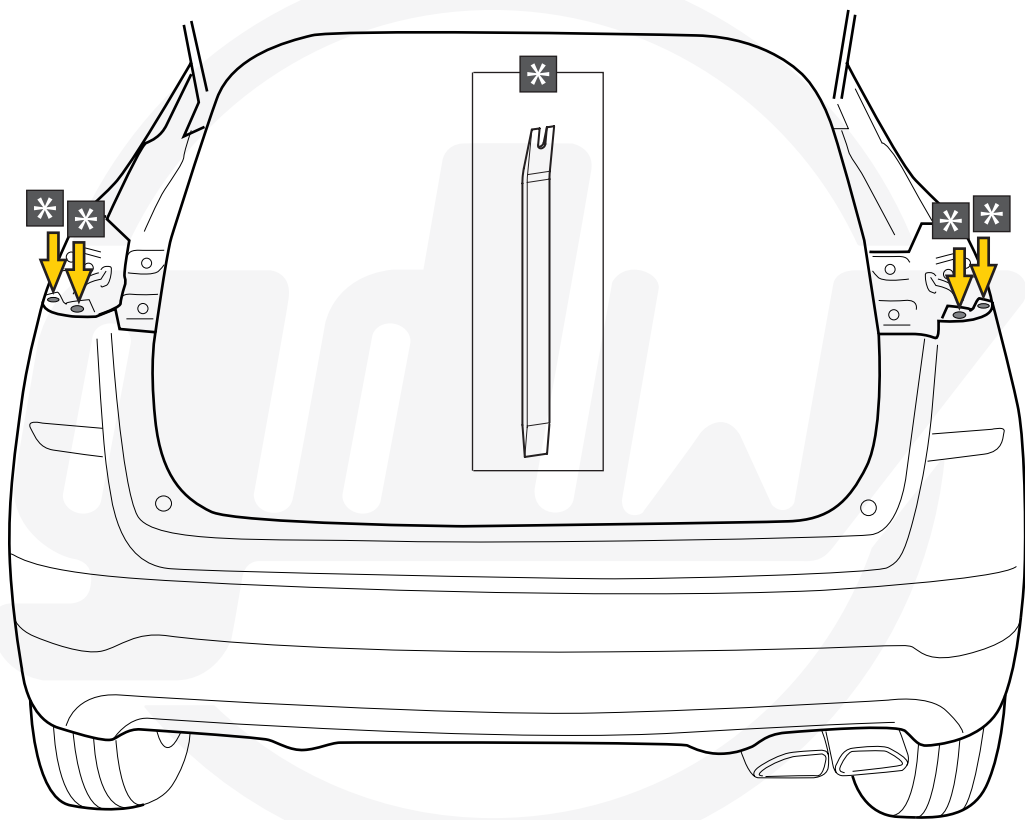
TUCSON IV

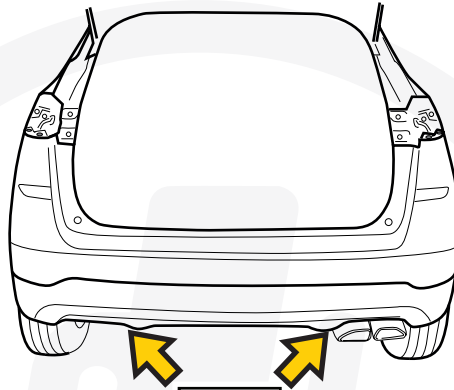


5



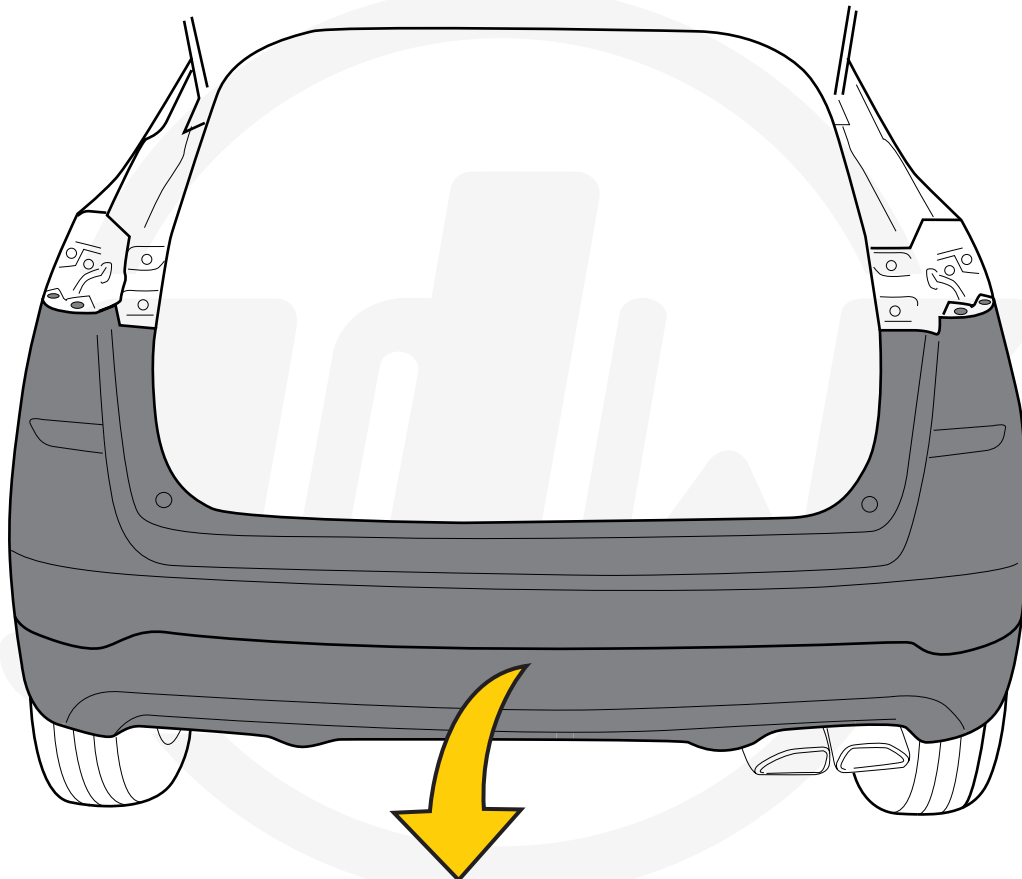
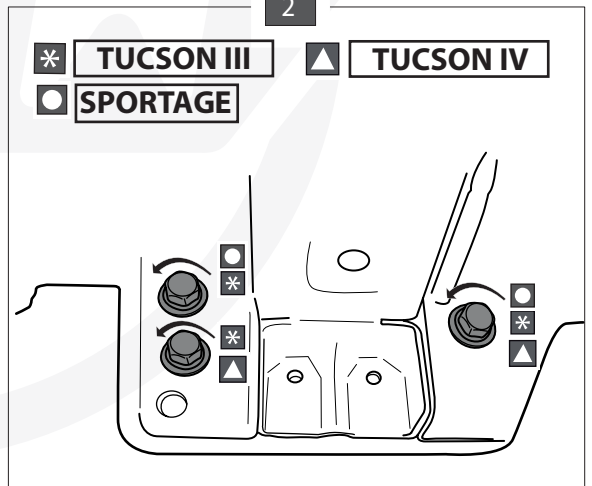
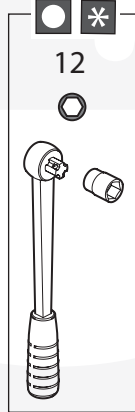
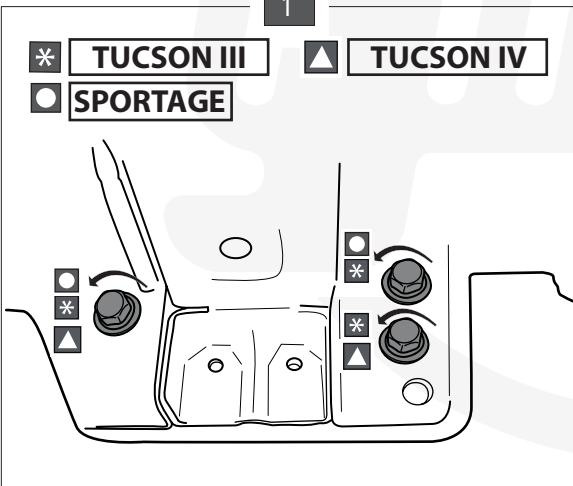
6



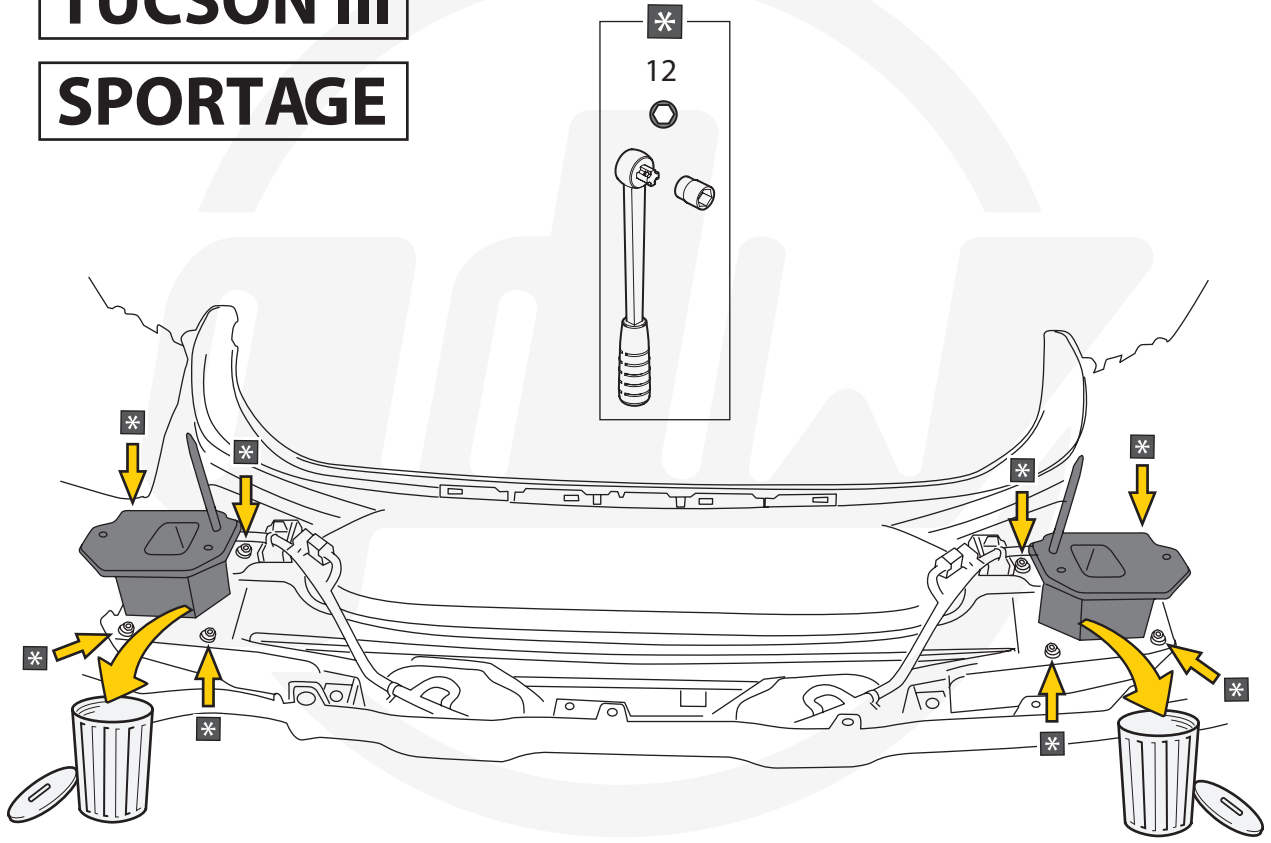


1

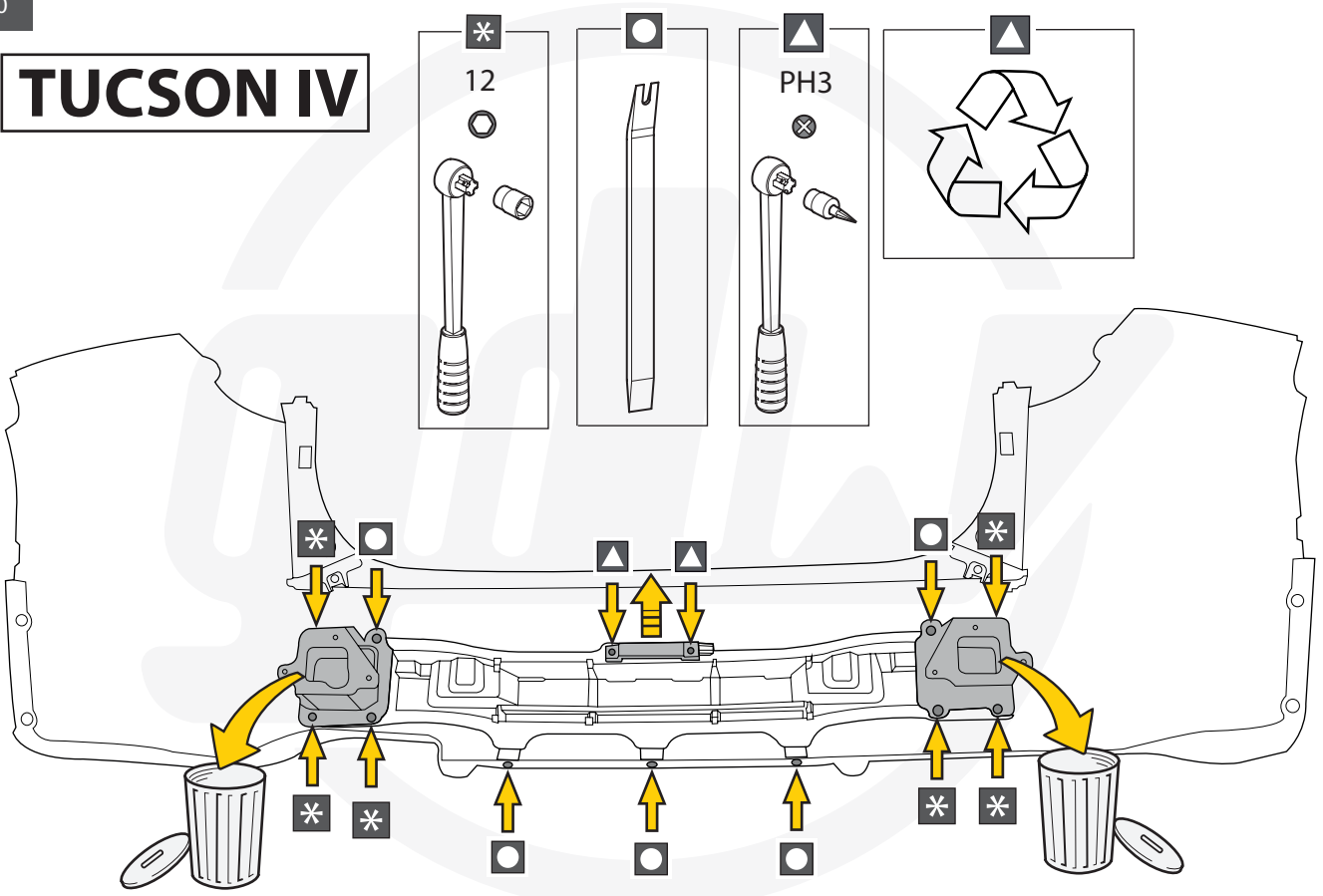
2



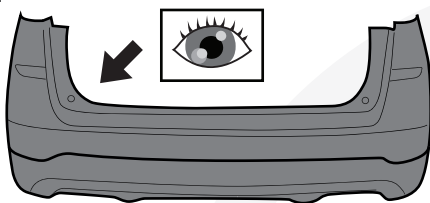
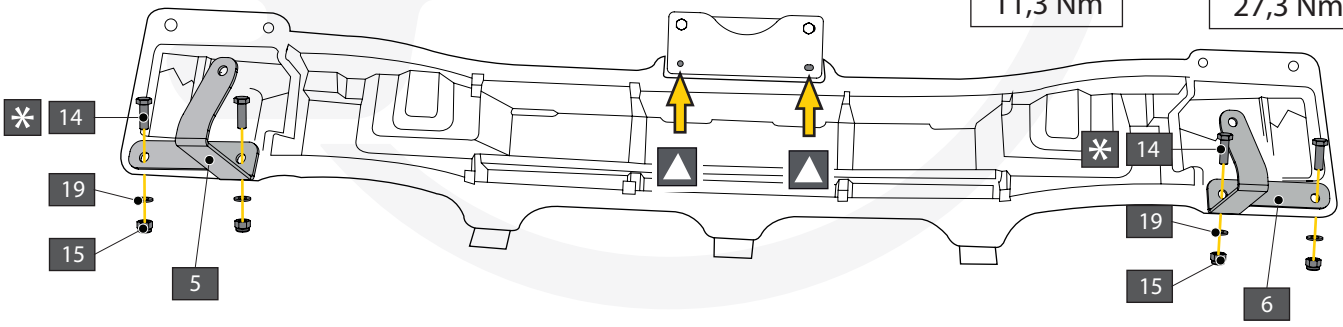
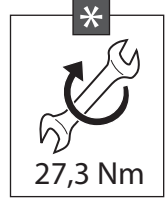
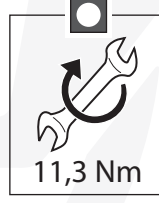
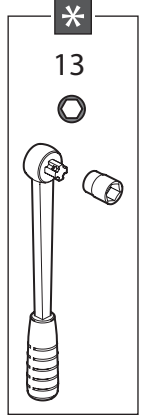
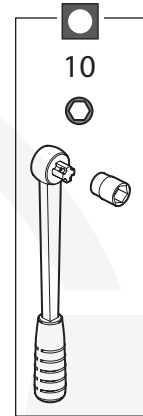
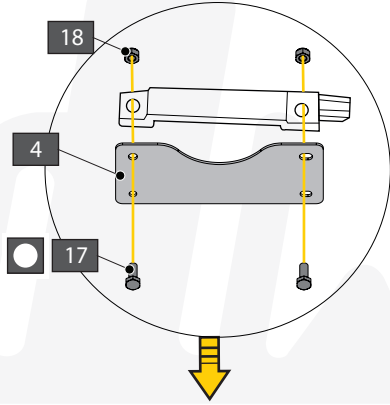
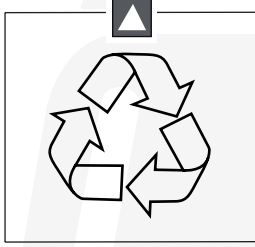
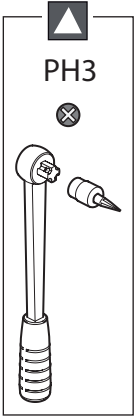
TUCSON III SPORTAGE



TUCSON IV

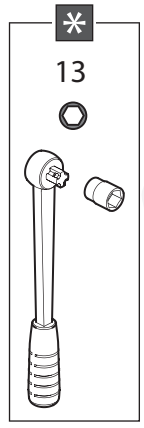
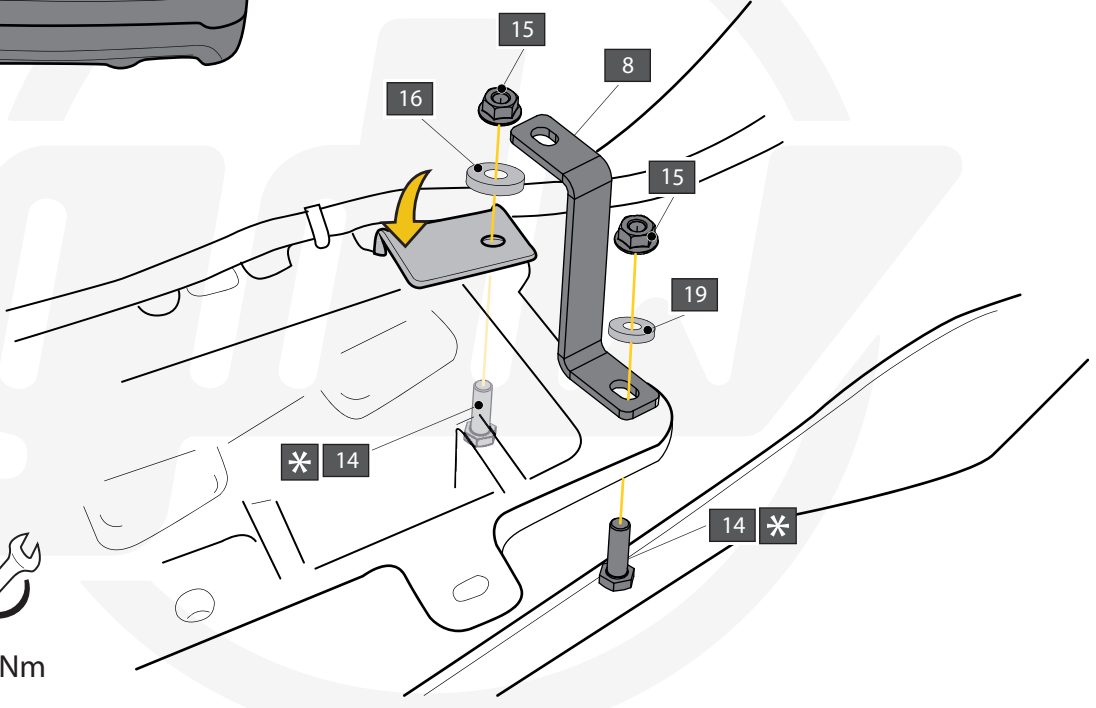


TUCSON IV



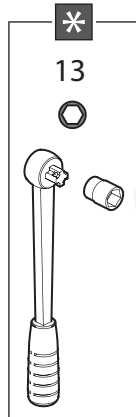
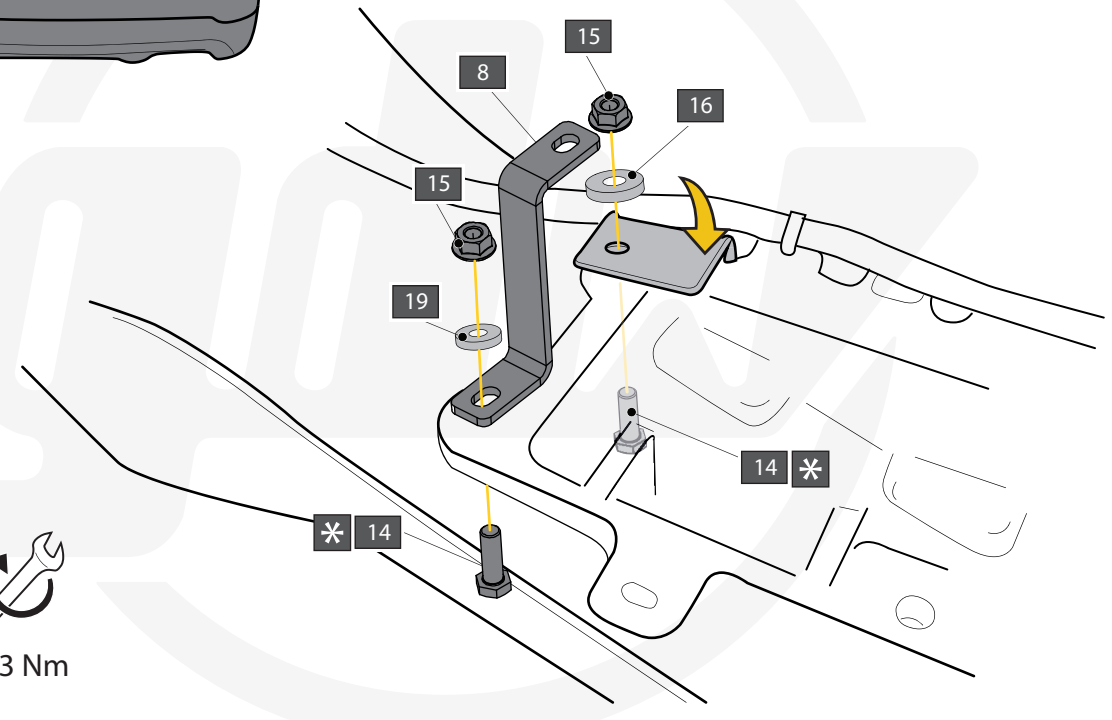
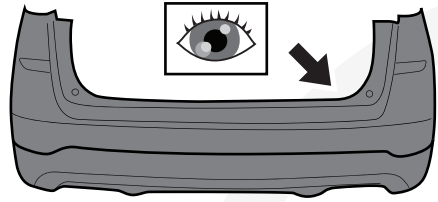
TUCSON III

SPORTAGE



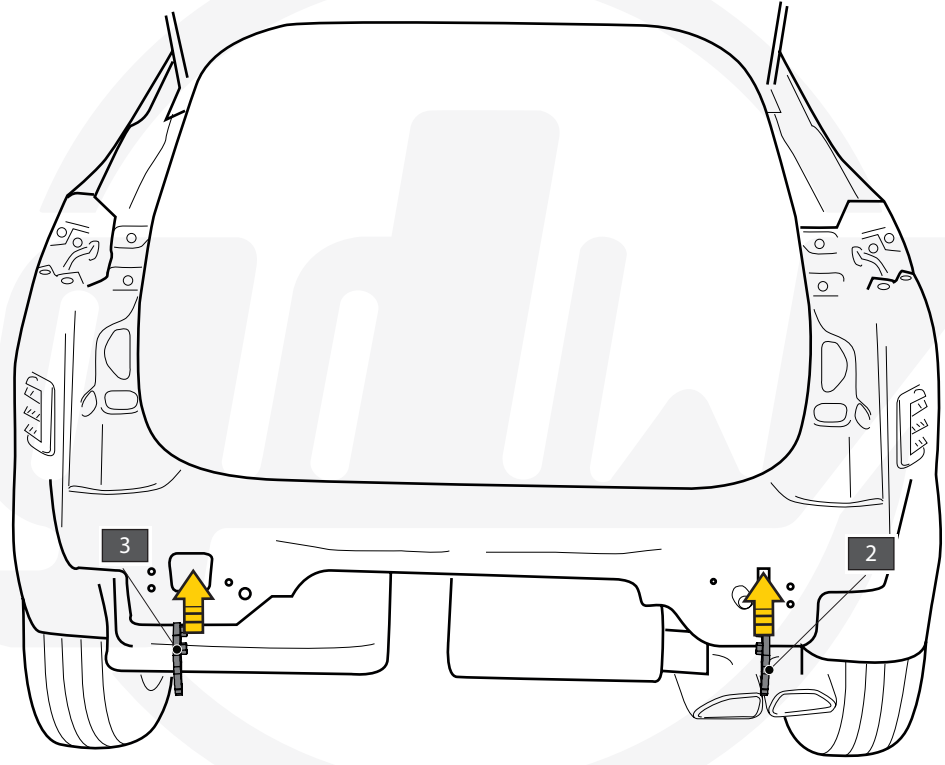
13

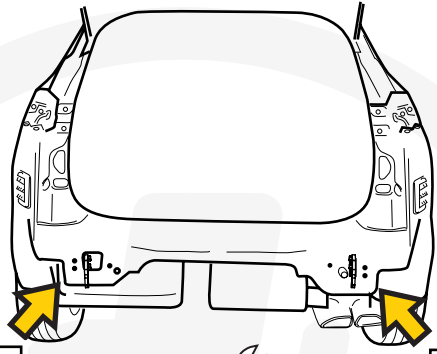
TUCSON III SPORTAGE



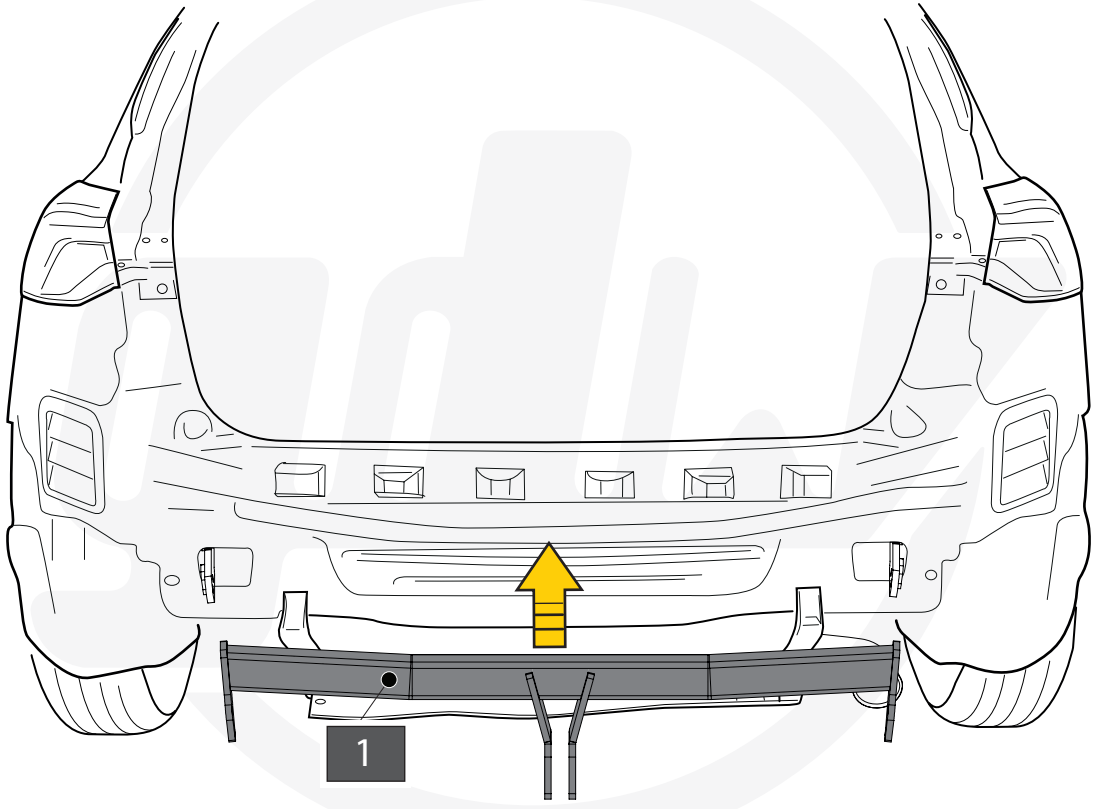
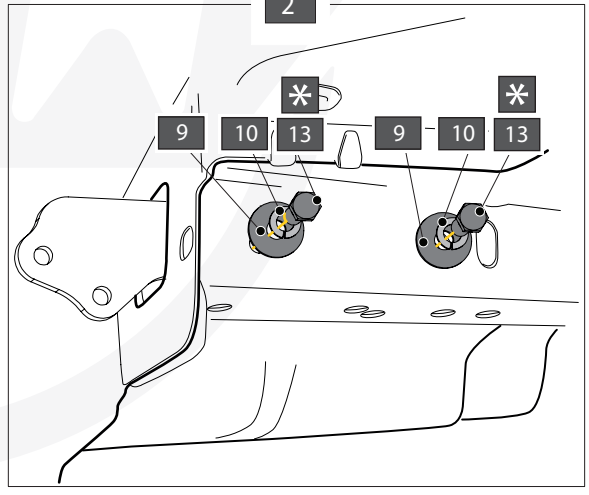
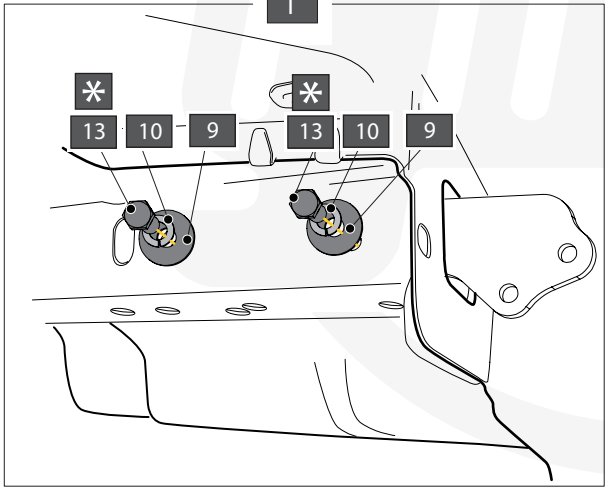

27,3 Nm

14

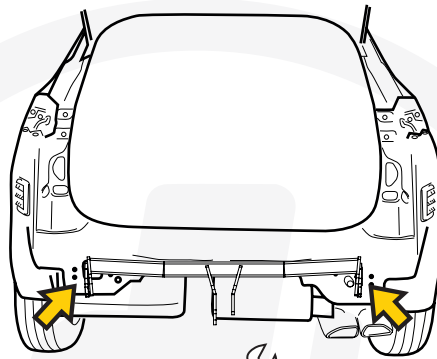




137,0 Nm

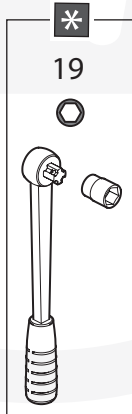
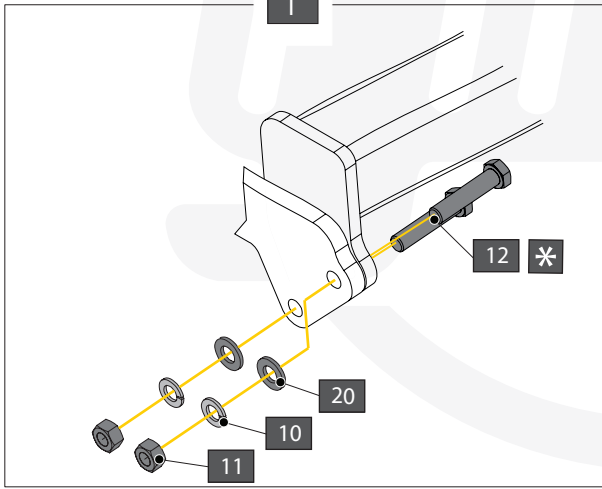


TUCSON III SPORTAGE

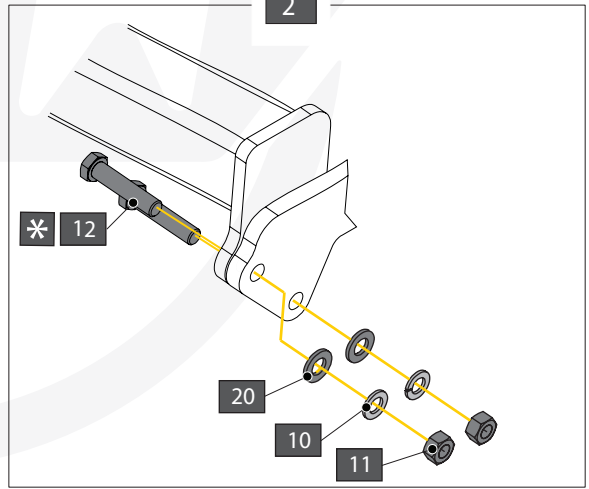


137,0 Nm

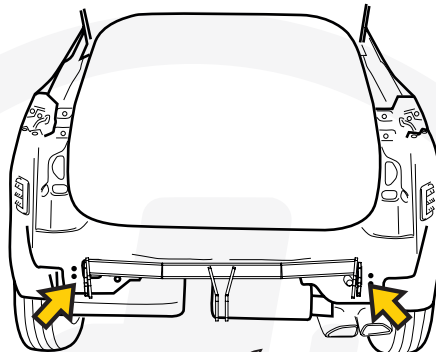
1



2

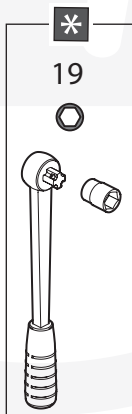
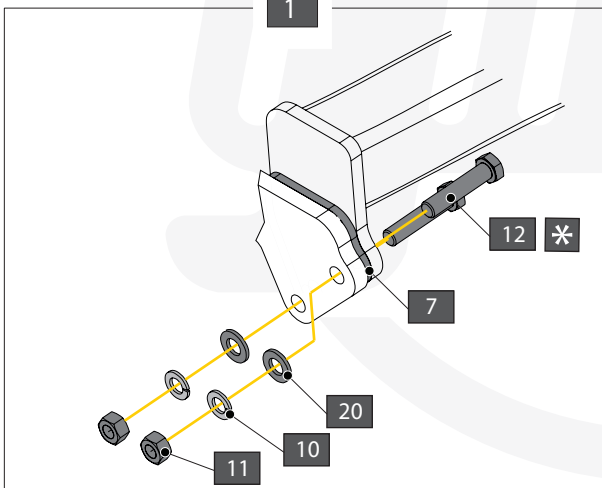


TUCSON IV

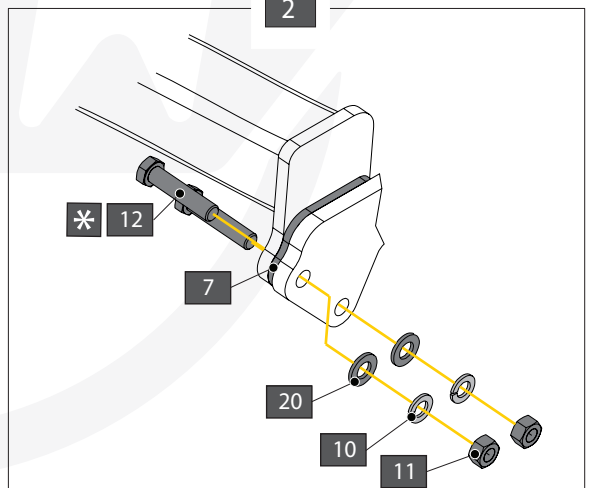


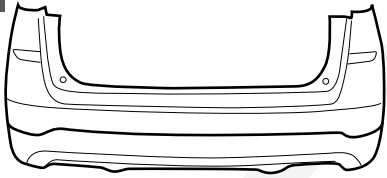
137,0 Nm

1

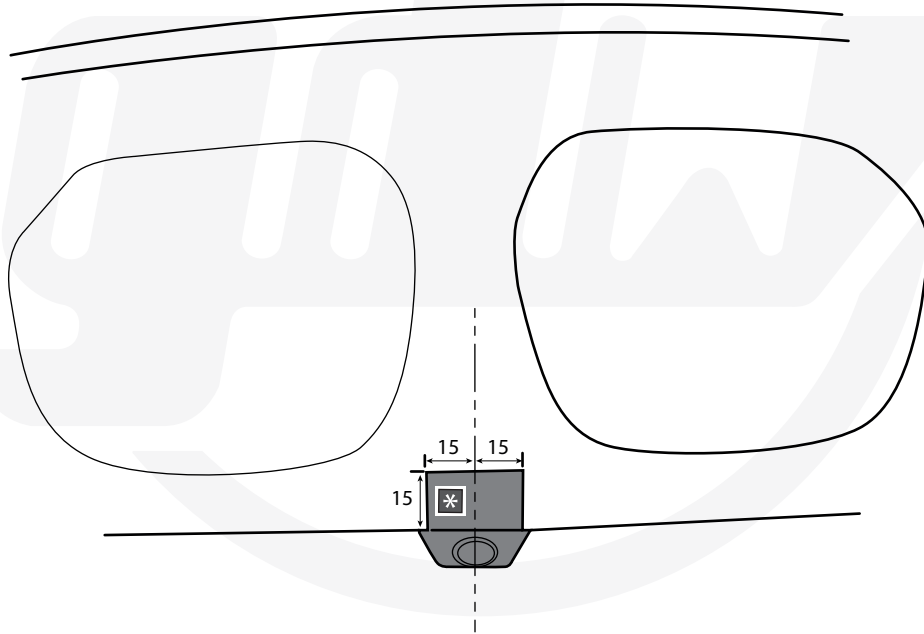
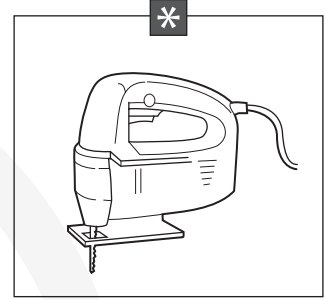


2





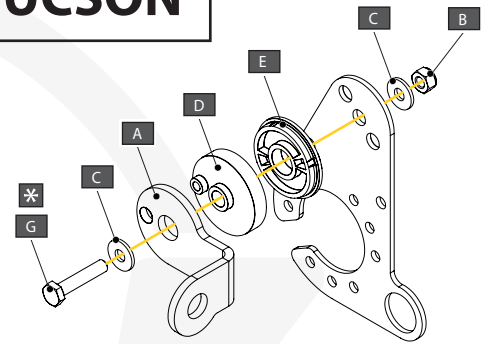
ONLY KIA SPORTAGE



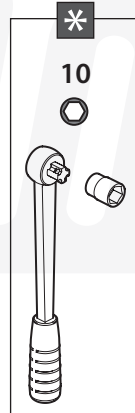
HYUNDAI TUCSON



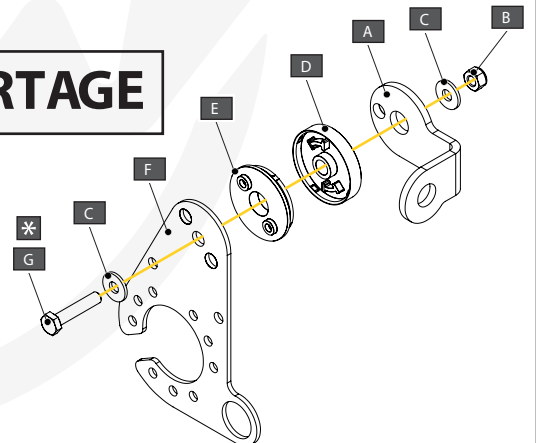
2,0 Nm



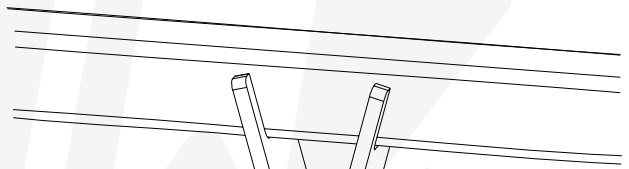
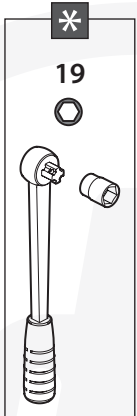
A		X1	GDW REF. 908.095
B		X1	DIN985-M6
C		X2	6,2 X 15,4 X 1,6 (NYLON)
D		X1	GDW REF. 718.16.002
E		X1	GDW REF. 718.16.003
F		X1	GDW REF. 908.094
G		X1	DIN933-M6 X 30



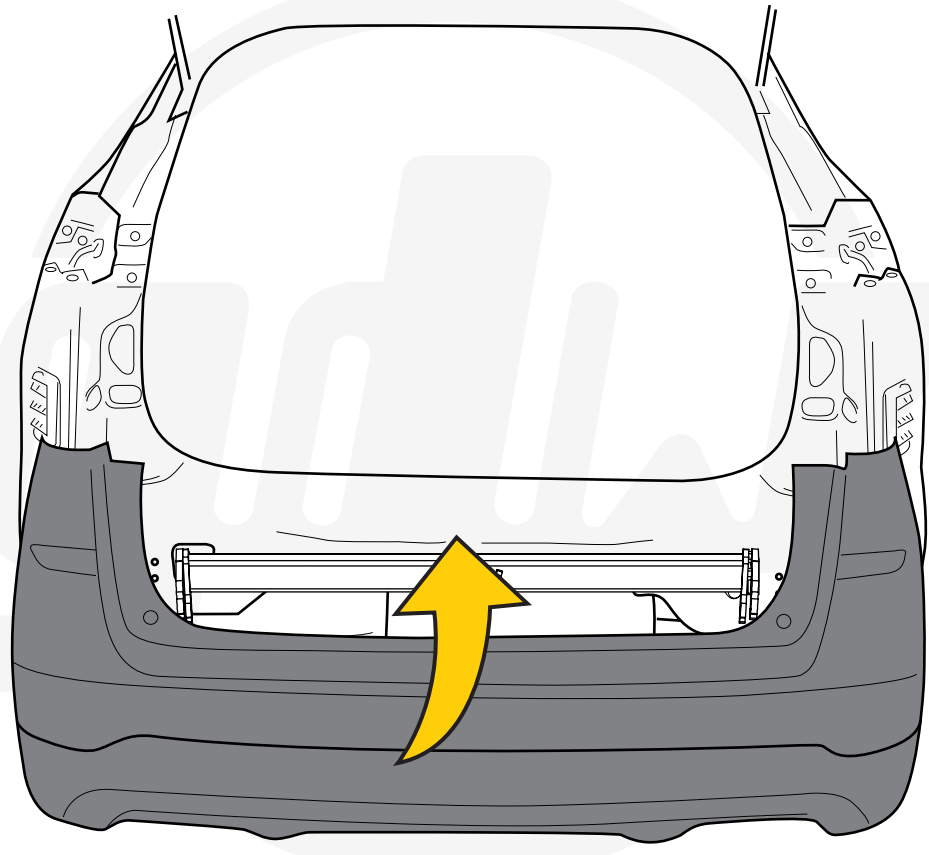
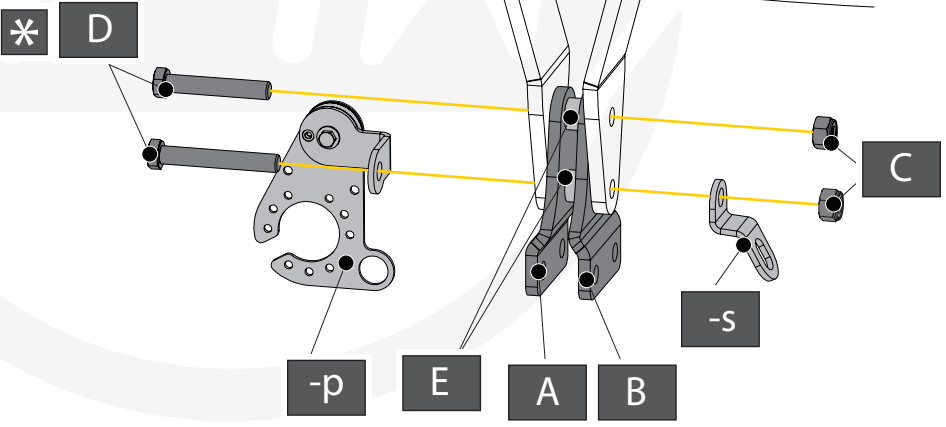
KIA SPORTAGE



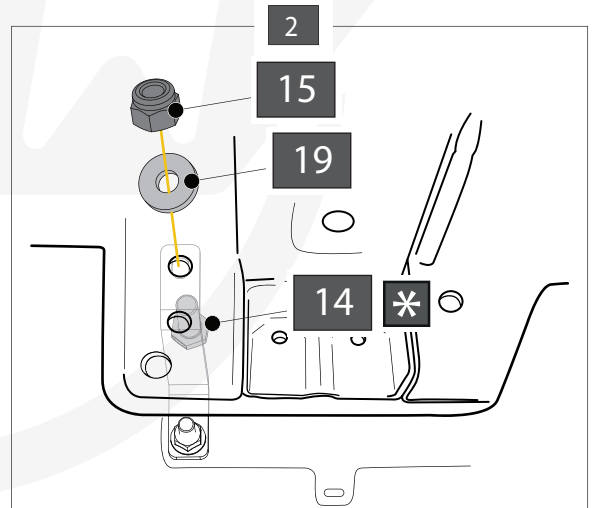
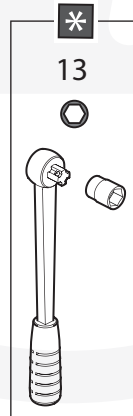
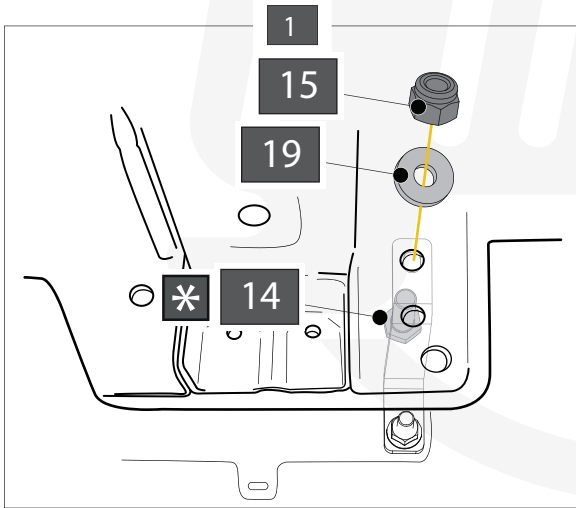
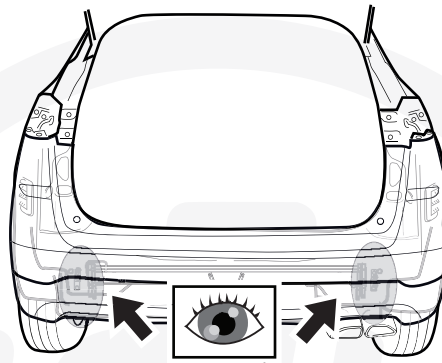
93,0 Nm



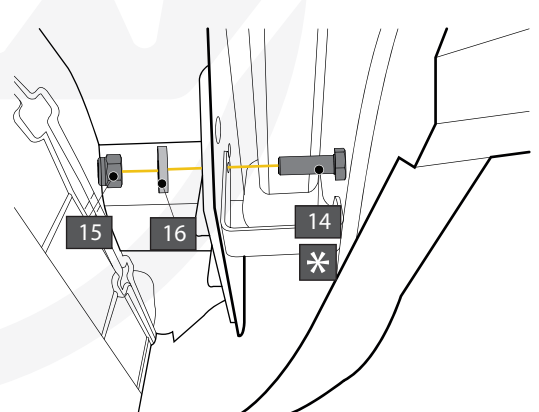
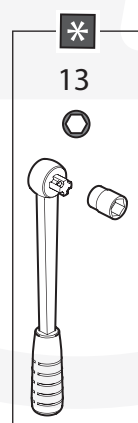
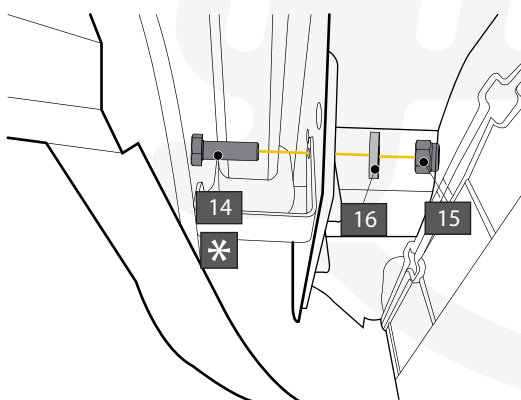
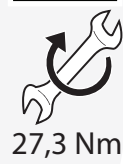
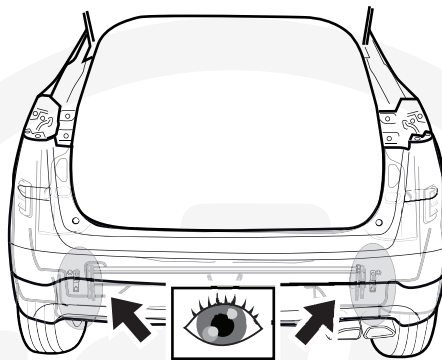
A		X1	GDW REF. 900.025
B		X1	GDW REF. 900.026
C		X2	DIN985-M12
D		X2	DIN931-M12 X 70
E		X2	GDW REF. 900.011

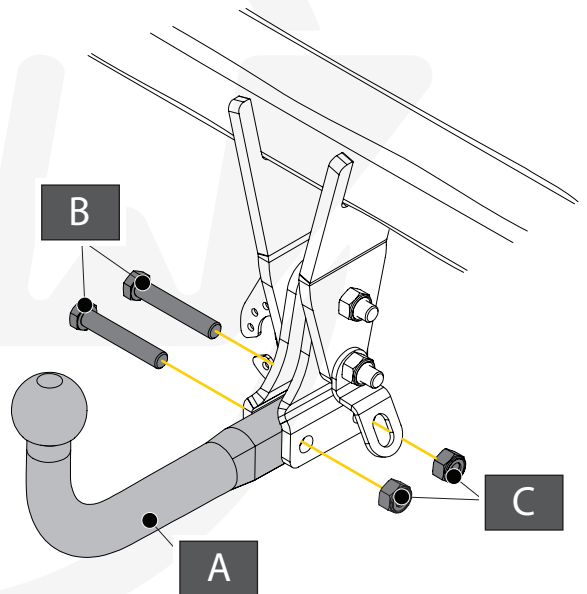
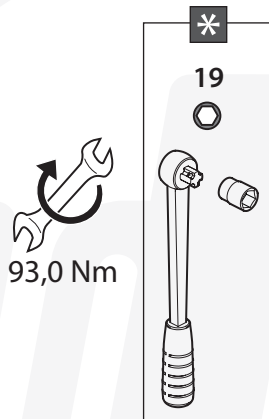
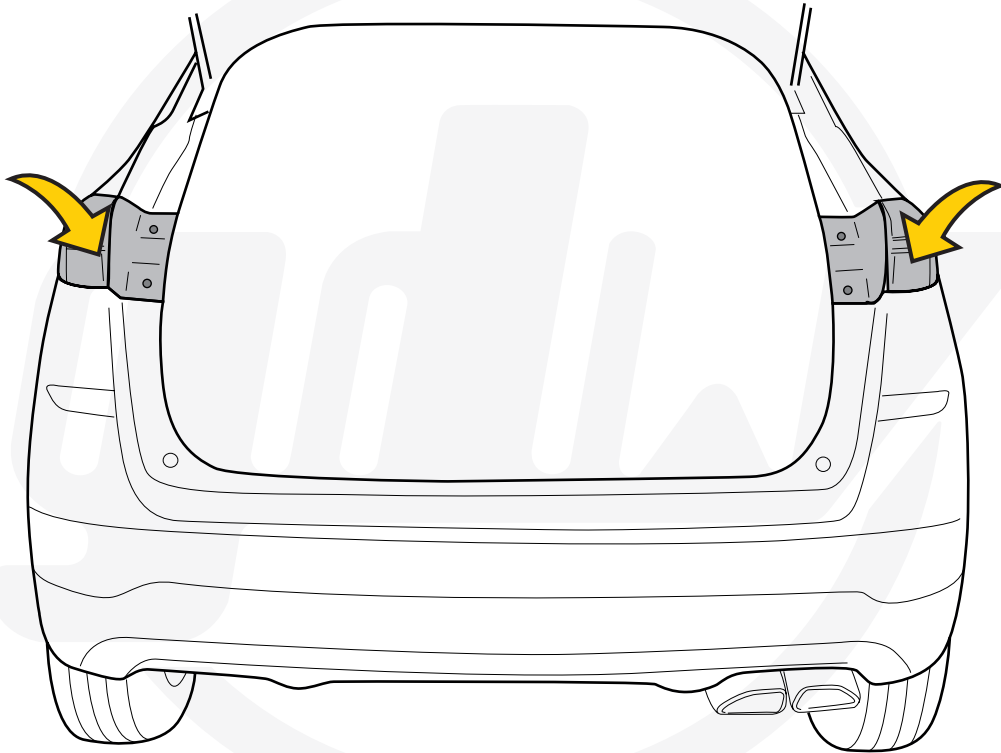


TUCSON III SPORTAGE

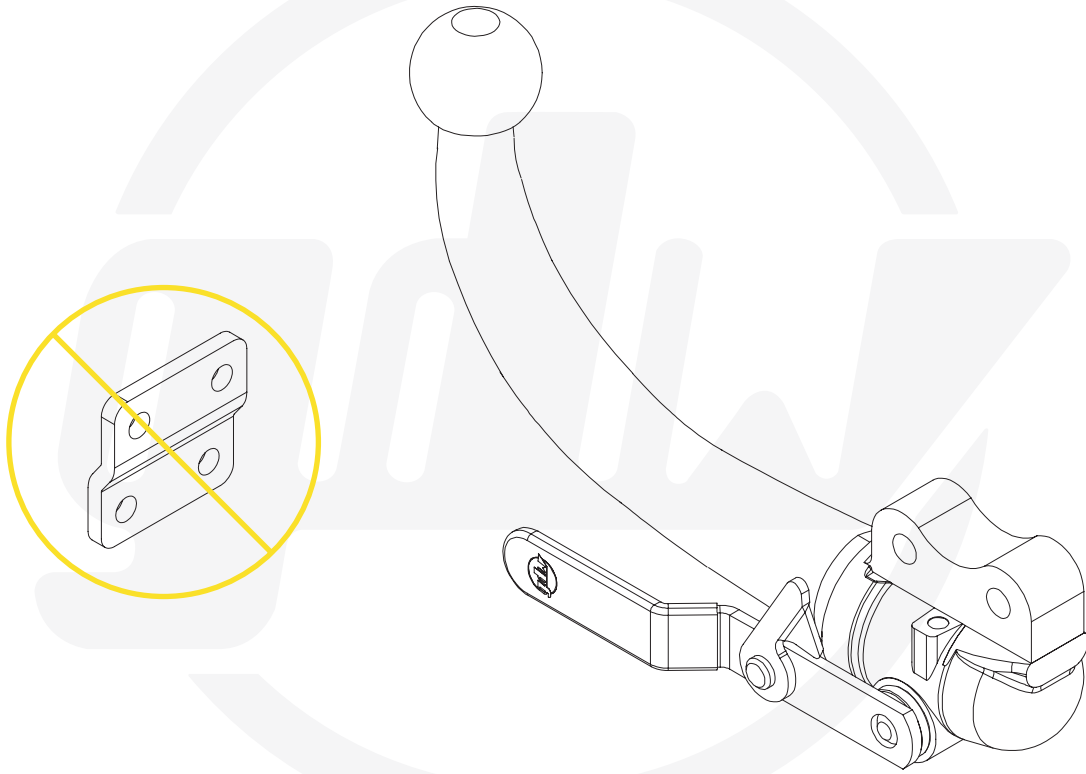


TUCSON IV





- | | | | |
|---|--|----|-----------------|
| A | | X1 | 944.H006 |
| B | | X2 | DIN931-M12 X 70 |
| C | | X2 | DIN985-M12 |



DICHIARAZIONE DI CORRETTO MONTAGGIO

DECLARATION OF CORRECT INSTALLATION

La sottoscritta ditta dichiara di aver montato in maniera corretta il dispositivo di traino di cui sotto, **seguendo le prescrizioni del costruttore del veicolo e del costruttore del dispositivo.**

The undersigned company declares to have correctly mounted the towing device mentioned below, following the prescriptions of the vehicle manufacturer and the construction manufacturer.

COSTRUTTORE	MANUFACTURER	GDW N.V.
RIFERIMENTO	REFERENCE	2543
AUTOVEICOLO	VEHICLE	HYUNDAI TUCSON III +IV ; KIA SPORTAGE
CLASSE E TIPO DI ATTACO	CLASS	F
APPROVAZIONE	HOMOLOGATION	E6*55R02/00*1644*00
VALORE D	D VALUE	11,20 kN

Timbro e firma dell'installatore
Stamp & signature of installer

DATA
DATE

MASSA RIMORCHIABILE	TOWABLE MASS	Vedere carta circolazione del veicolo See registration certificate of vehicle
CARICO VERTICALE MAX. S	MAX. VERTICAL LOAD S	120 kg

Per facilitare il controllo della compatibilità del dispositivo di traino sul veicolo, è opportuno confrontare le masse riportate sulla carta di circolazione del veicolo con le masse di riferimento sotto riportate (**T** ed **C**):
To simplify checking the compatibility of the towing device on the vehicle, it is advisable to compare the masses shown on the vehicle registration certificate with the reference masses shown below (T and C):

T = Massa complessiva del veicolo in kg *Total vehicle mass in kg*
C = Massa rimorchiabile del veicolo in kg *Towable mass of the vehicle in kg*

Massa complessiva del veicolo, desunta dalla carta di circolazione (**F2**) in kg
Total mass of the vehicle, taken from the registration certificate (F2)

deve essere inferiore od uguale a quella di riferimento **T** (= kg)
must be less than or equal to the reference T

Massa rimorchiabile del veicolo, desunta dalla carta di circolazione (**O1**) in kg
Towable mass of the vehicle, taken from the registration certificate (O1)

deve essere inferiore od uguale a quella di riferimento **C** (= kg)
must be less than or equal to the reference C

Se tali condizioni sono verificate il dispositivo **è installabile.** *If these conditions are met, the device can be installed.*

Se tali condizioni non si verificano, si deve procedere al seguente calcolo:

If these conditions are not met, the following calculation must be made:

$$D = \frac{T \times C}{T + C} \times 0,00981 = \dots\dots\dots \text{ kN}$$

Se **D** risulta inferiore a **11,20 kN** (valore riportato sulla targhetta e sul presente documento) il dispositivo **può essere installato.**
If D is less than 11,20 kN (value shown on the plate and on this document) the device can be installed.

NOTA ESPLICATIVA
EXPLANATORY NOTE

